

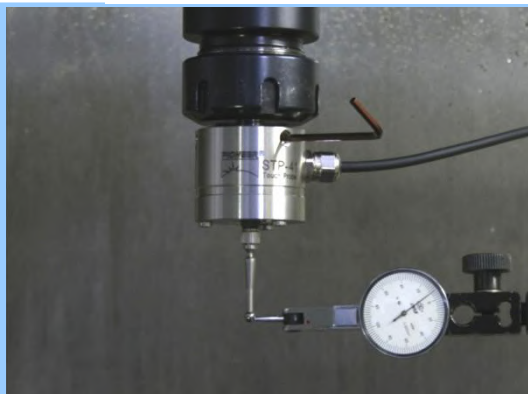
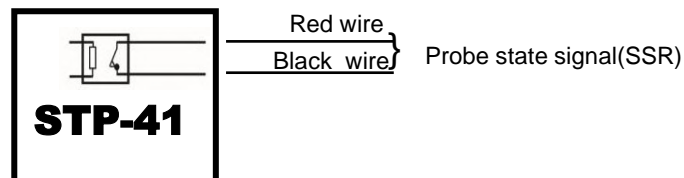
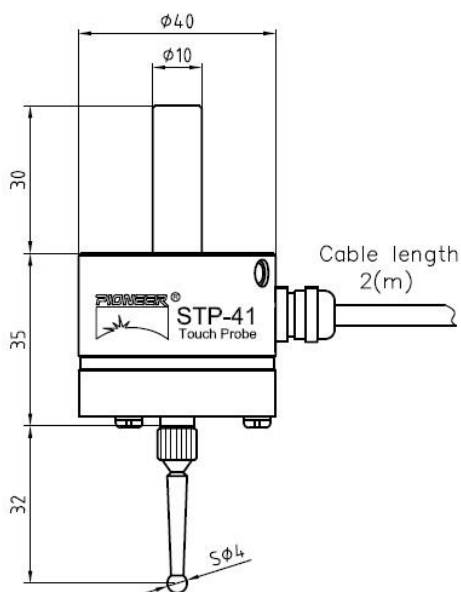
STP-41 Probe - -simplified probe for CNC machines

Function:

- Workpiece set-up and inspection
- Datum position set-up

Features and benefits

- Detachable steel stylus
- Sensing directions: $\pm X$, $\pm Y$, $+Z$
- Length of standard stylus: 32mm
The diameter of stylus ball is 4.0 ± 0.001 mm.
- Stylus overtravel :
 $XY \pm 15^\circ$, $Z+5$ mm
- The standard length of the communication cable is 2 m.



Accuracy

- Unidirectional repeatability: 0.01mm
- Ball diameter: 4.0 ± 0.001 (mm)
- Probe signal output: Normally closed
- Alignment of stylus with the axis of probe shank is adjustable as shown in illustration

